



Seaside Recliner

- Removable seat cushion for easy cleaning
- Numerous stain- and bacteria-resistant fabric options
- Wood accent arm grips
- Two reclining positions
- Rear casters for easy moving



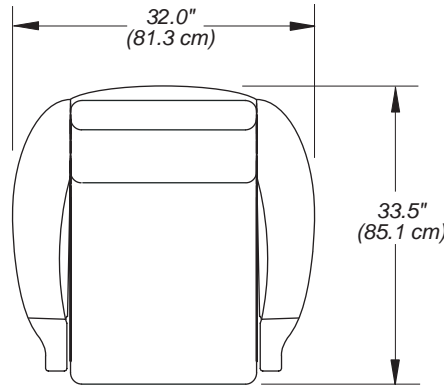
The Seaside has wood accent arm grips, two reclining positions and rear casters for easy moving. The seat cover is removable for easy cleaning. [All Crypton fabrics specified by Wellness Environments are stain- and bacteria-resistant. They are certified to meet the requirements of CTB 117 and can be upgraded to meet CTB 133 if necessary.] Recliner is certified to accommodate 250 lbs.

**Drawings not to scale.*

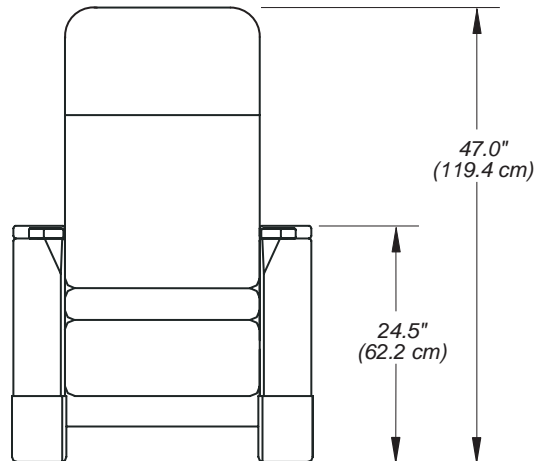
Order number: RE01-??-00-CF

Finishes

Hardwood details to match Fusion Maple (Wilsonart 7909-60)	40
Hardwood details to match Millwork Cherry (Pionite WC431)	41
Hardwood details to match Amber Cherry (Wilsonart 7919-38)	42
Custom color combination (may be subject to minimum order and/or upcharge)	99



Plan View



Front View